



RAY

 EUREKA

# RAY

## Wall Recessed

ADA compliant LED wall-sconce

One piece die cast housing

LED 1W or 2W sources available

### 10096-BLK

(Black)



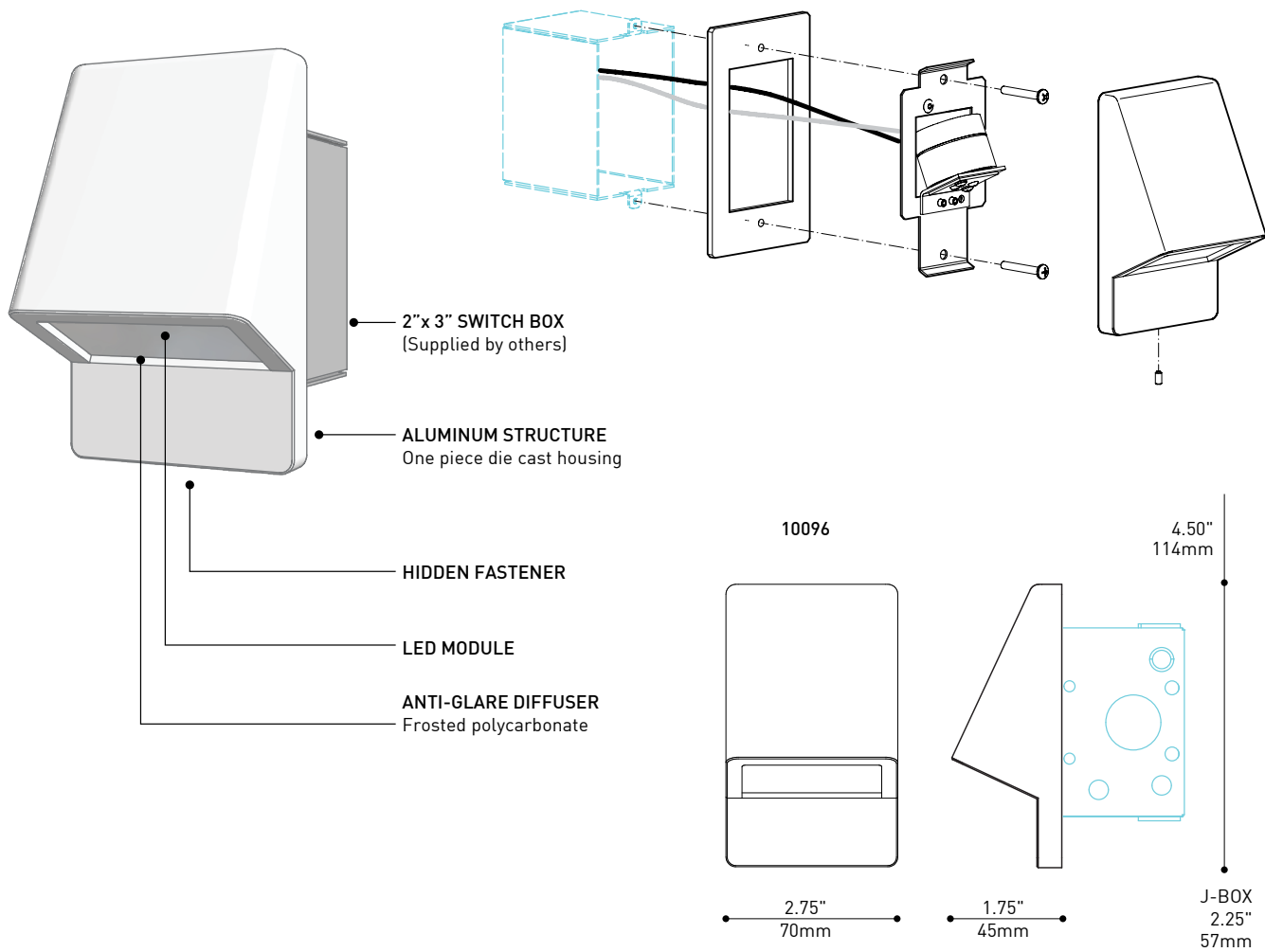
### 10096-WH

(White)



# RAY

## Wall Recessed Anatomy



### SPECIFICATION

### LED 2W

LIGHT SOURCE	1 x Nichia total ±2w
MODULE	UL recognized - made in USA
LUMENS (ESTIMATED)	175 lm - 180 lm (4000K)
CCT / CRI	85 CRI (typical)
ROHS	Compliant
THERMAL MANAGEMENT	Metal internal support in heavy gauge to maximize thermal performance
LIGHT DISTRIBUTION	Direct - 120° Beam Angle
VOLTAGE	120V or 277V
DRIVER	Wang House Technology 1-3W Constant Current (non dimming) / fits into Junction Box
LM-79 / L70	On request / Estimated 50 000 hrs
SHADE STRUCTURE	Die cast aluminum housing with hidden fastener, available in White Polyester Powder Coat Paint or Black anodized
DIFFUSER	Precision laser cutting Frosted polycarbonate lens
CANOPY	CNC Stamped and Formed Cold Rolled Steel [0.048" nominal thickness] w/ highly reflective polyester powder coat white
CERTIFICATION	C-CSA-US WET Location certified - ADA Compliant
WARRANTY	5 years



2.00" X 3.00" (51MM X 76MM)



# EUREKA

# RAY 10096

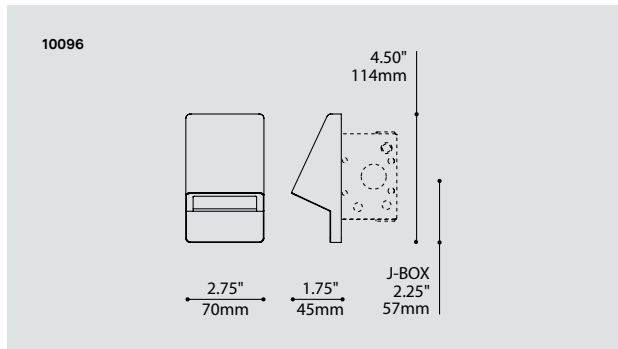
PROJECT PROJET
SPEC TYPE
NOTES



## OPTIONS



WHE



ORDERING SPECIFICATION	SPÉCIFICATION DE COMMANDE	CODE
MODEL MODÈLE		10096
10096	RAY	
LIGHT SOURCE SOURCE LUMINEUSE		
(WATTAGE, LAMP TYPE, OTHER INFO)		
LED.2	2W, LED	
COLOR TEMPERATURE TEMPÉRATURE DE COULEUR		
30	3000K	
35	3500K	
40	4000K	
VOLTAGE VOLTAGE		
120V	120 VOLT	
277V	277 VOLT	
STRUCTURE FINISH FINI STRUCTURE		
BLKE	BLACK FINE TEXTURE	
WHE	WHITE FINE TEXTURE	

## PRODUCT CHARACTERISTICS CARACTÉRISTIQUES DU PRODUIT



2.00" x 3.00" (51mm x 76mm)

<b>DESIGN:</b>	Ideal for direct illumination without visible fasteners and fits in a 2.00" x 3.00" outlet box.
<b>LIGHT SOURCE:</b>	LED 2W.
<b>STRUCTURE:</b>	Die-cast aluminum, die-stamped steel and die-cut silicone gasket.
<b>DIFFUSER:</b>	Frosted polycarbonate sheet.
<b>CERTIFIED:</b>	CSA Listed to US and Canadian safety standards; 25°C ambient and wet-locations. IP64 rated

<b>CONCEPTION:</b>	Idéal pour éclairage direct sans vis apparentes. Convient aux boîtes de jonction 2.00" x 3.00".
<b>SOURCE LUMINEUSE:</b>	DEL 2W.
<b>STRUCTURE:</b>	Aluminium injecté, acier découpé et plié et joint en silicone estampillé.
<b>DIFFUSEUR:</b>	Polycarbonate givré.
<b>CERTIFIÉ:</b>	Homologué CSA aux standards UL Canada et É.-U. - Température ambiante 25°C et emplacements mouillés. Conforme à la norme IP64



# RAY

## Wall Recessed Photometry

